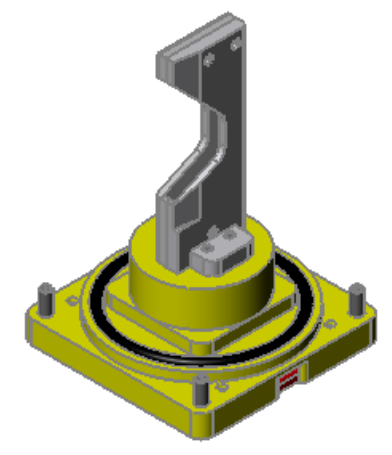


SECTION B-B

REVISIONS		
REV.	DESCRIPTION	DATE
A	INITIAL RELEASE	4/18/2005
B	REMOVED WINCHESTER CONNECTORS	4/7/2006
C	CORRECT O-RING PART NUMBERS	12/11/2006



ITEM NO.	PART NUMBER	DESCRIPTION	QTY.
1	EVE-M-21804	FLAT FIELD LAMP BRACKET	1
2	EVE-M-21811	FLAT FIELD LAMP REFLECTOR	1
3	EVE-M-21810	FLAT FIELD REFLECTOR COVER	1
4	EVE-M-21805	FLAT FIELD LED CEL ASSY	1
5	EVE-M-21806	FLAT FIELD COVER	1
6	2-129V0747-75	O-RING, 1.549 ID, .103 W, RUBBER, FLUOROCARBON ELASTOMER, HIGH TEMPERATURE FLUID AND COMPRESSION	1
7	2-116V0747-75	O-RING, .737 ID, .103 W, RUBBER, FLUOROCARBON ELASTOMER, HIGH TEMPERATURE FLUID AND COMPRESSION	1
8	NAS1352N02-2	NAS1352N02-2, 2-56 SHCS 0.125 L	7
9	NAS1352N02-4	NAS1352N02-4, 2-56 SHCS 0.25 L	2
10	VENTED - NAS1352N04-6	VENTED - NAS1352N04-6, 4-40 SHCS 0.375 L	4

FLIGHT ASSEMBLY

APPROVALS		
	CHECKED	DATE
DRAWN BY	CONVERSE	
ENGINEER	CONVERSE	
ME		
EE		
THERMAL		
SYSTEM		
QA		
CM		

INTERPRET DRAWING PER ASME Y14.5M-1994
 ALL DIMENSIONS ARE IN INCHES
 DO NOT SCALE DRAWING
 .XX ±.01
 .XXX ±.005
 .XXXX ±.002
 ANGLES ±0°30'
 FILLETS .035 MAX .003 MIN
 MACHINE FINISH



FLAT FIELD LAMP ASSEMBLY

PROJECT	FLAT FIELD LAMPS	PART NUMBER	EVE-M-21803
MATERIAL	AS REQUIRED		
PDMWORKS REFERENCE ONLY	SIZE	SCALE	SHEET
DEV-25	B	1:1	1 OF 1
			REV
			C