

REVISIONS		
REV.	DESCRIPTION	DATE
A	INITIAL RELEASE - SKELETON	4/21/2006
B	DOCUMENT AND POPULATE BOM	4/21/2006

ITEM NO.	PART NUMBER	DESCRIPTION	QTY.
1	EVE-M-29208	MEGS A GRATING HOUSING	1
2	EVE-M-29250	MEGS A, ENTRANCE SLIT, MASK	1
3	EVE-M-29251	MEGS AB SLIT MASK CLAMP	1
4	EVE-M-29203	GRATING SPRING, SINGLE, SIDE	1
5	EVE-M-29216	GRATING SPRING, SINGLE BACK	1
6	EVE-M-29218	LEAF SPRING, GRATING BACK	1
7	EVE-M-29202	GRATING SPRING CAP	4
8	EVE-M-29214	GRATING SPRING, DOUBLE, SIDE	2
9	EVEMEGSA1	MEGS A GRATING	1
10	EVE-M-29217	CLAMP PLATE, GRATING	1
11	EVE-M-29211	GRATING PAD, 094 DIA	1
12	EVE-M-29212	GRATING PAD, 125 DIA	1
13	EVE-M-29213	GRATING PAD, 156 DIA	1
14	EVE-M-29311	GRATING PAD SPACER - 0.094 D	1
15	EVE-M-29312	GRATING PAD SPACER - 0.125 D	1
16	EVE-M-29313	GRATING PAD SPACER - 0.156 D	1
17	EVE-M-28051	GRATING PAD	3
18	NAS662C0R2	0-80 FLATHD 100 deg 0.125 L	4
19	DK1-156	DOWEL PIN, .031 X 5/32" L	2
20	NAS1352N02-4	NAS1352N02-4, 2-56 SHCS 0.25 L	9
21	NAS1352N02-8	NAS1352N02-8, 2-56 SHCS 0.5 L	12

FLIGHT ASSEMBLY

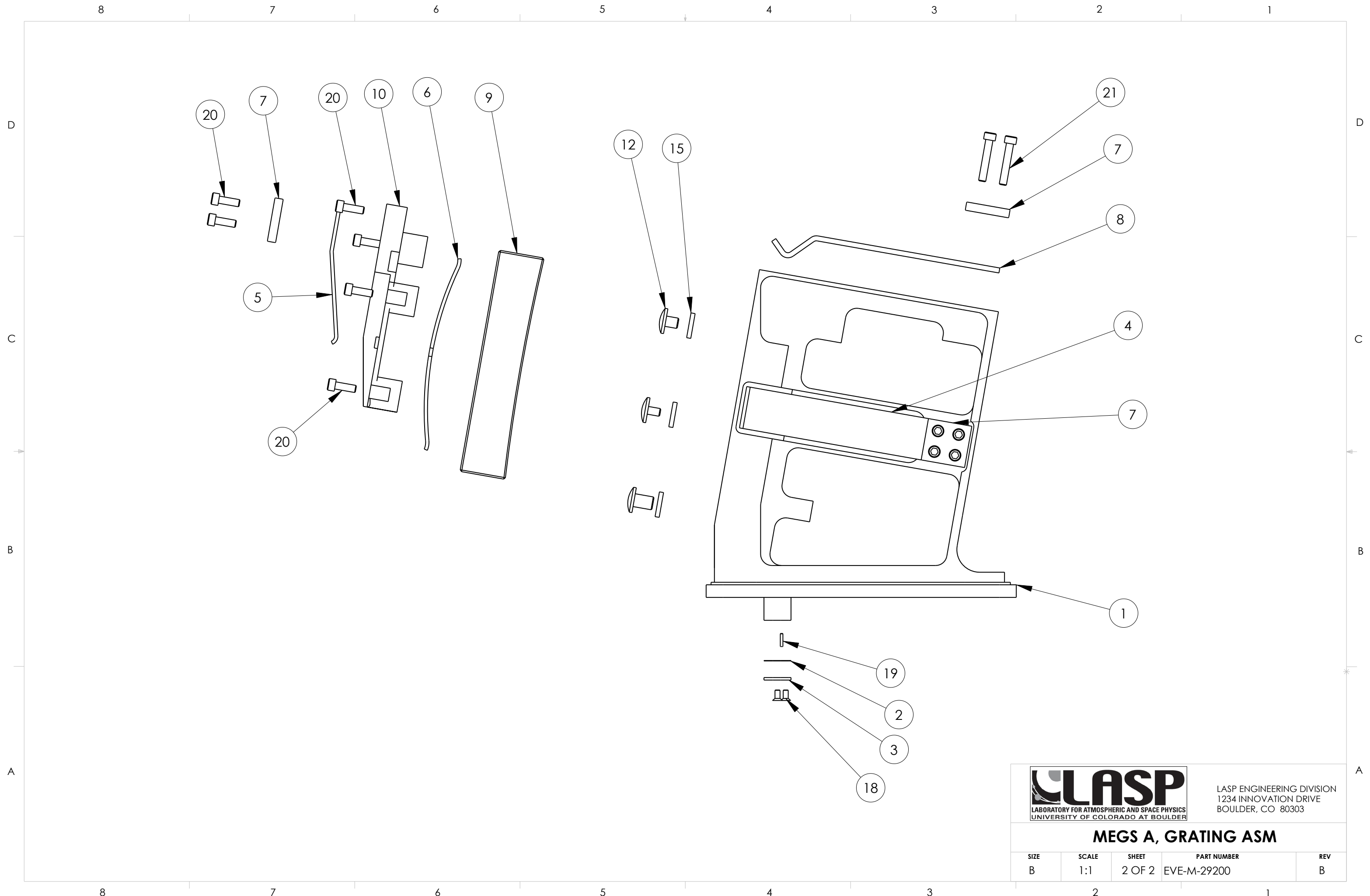
APPROVALS		
	CHECKED	DATE
DRAWN BY	MEGS A, GRATING ASM	
ENGINEER	CONVERSE	
ME		
EE		
THERMAL		
SYSTEM		
QA		
CM		


INTERPRET DRAWING PER ASME Y14.5M-1994
 MACHINE ALL SURFACES TO A 63 MICROINCH
 FINISH OR BETTER
 FILLETS .015 MAX .003 MIN
 ALL DIMENSIONS ARE IN INCHES
 BREAK ALL EDGES
 .XX ±.01
 .XXX ±.005
 ANGLES ±0°30'
 DO NOT SCALE DRAWING



MEGS A, GRATING ASM

PROJECT	MEGS A GRATING ASM	PART NUMBER	EVE-M-29200
MATERIAL			
AS REQUIRED			
PDMWORKS REFERENCE ONLY	SIZE	SCALE	SHEET
DEV-04	B	1:1	1 OF 2
			REV
			B



		LASP ENGINEERING DIVISION 1234 INNOVATION DRIVE BOULDER, CO 80303		
MEGS A, GRATING ASM				
SIZE	SCALE	SHEET	PART NUMBER	REV
B	1:1	2 OF 2	EVE-M-29200	B